

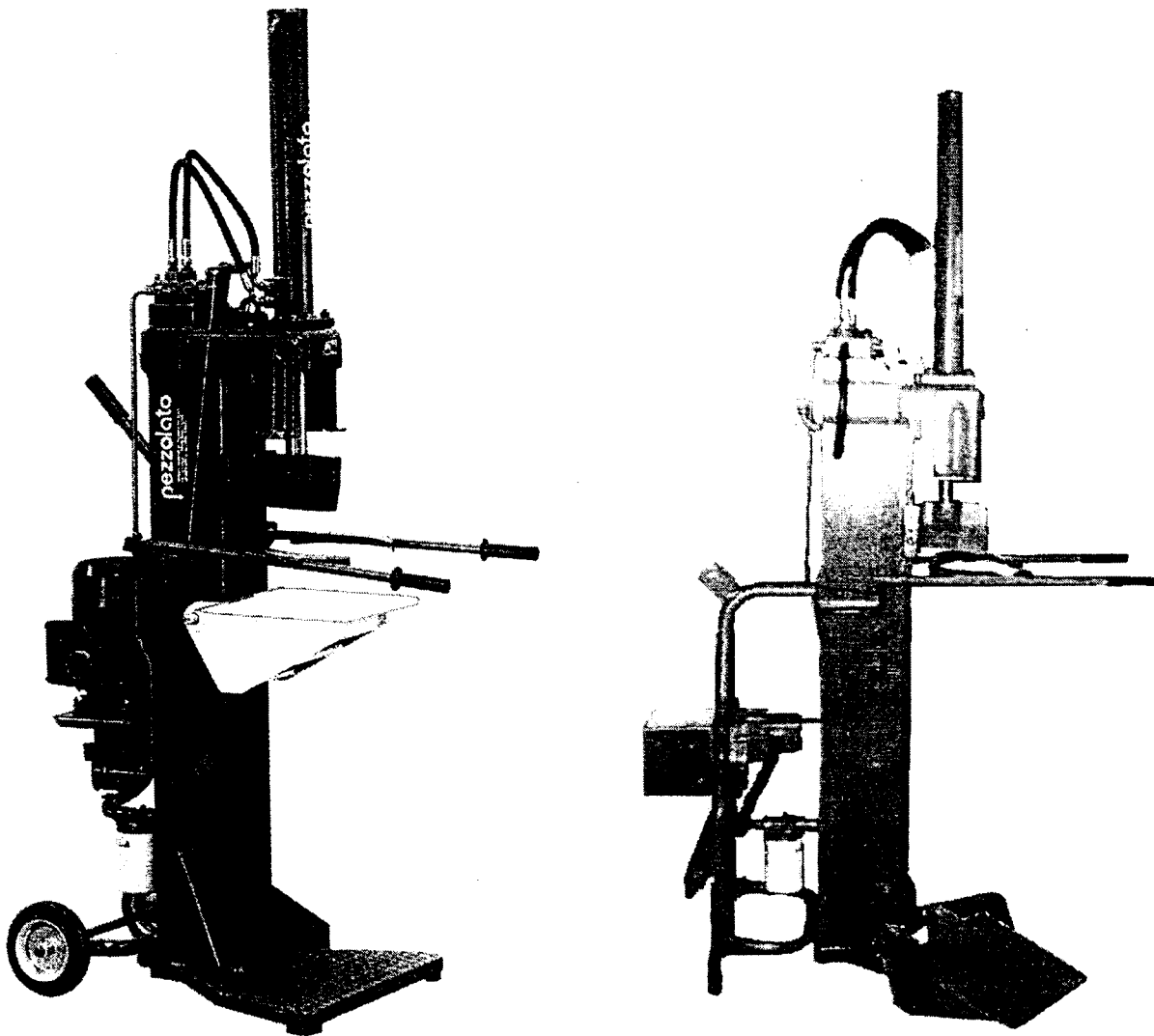
pezzolato



Officine Costruzioni Meccaniche S.p.A.

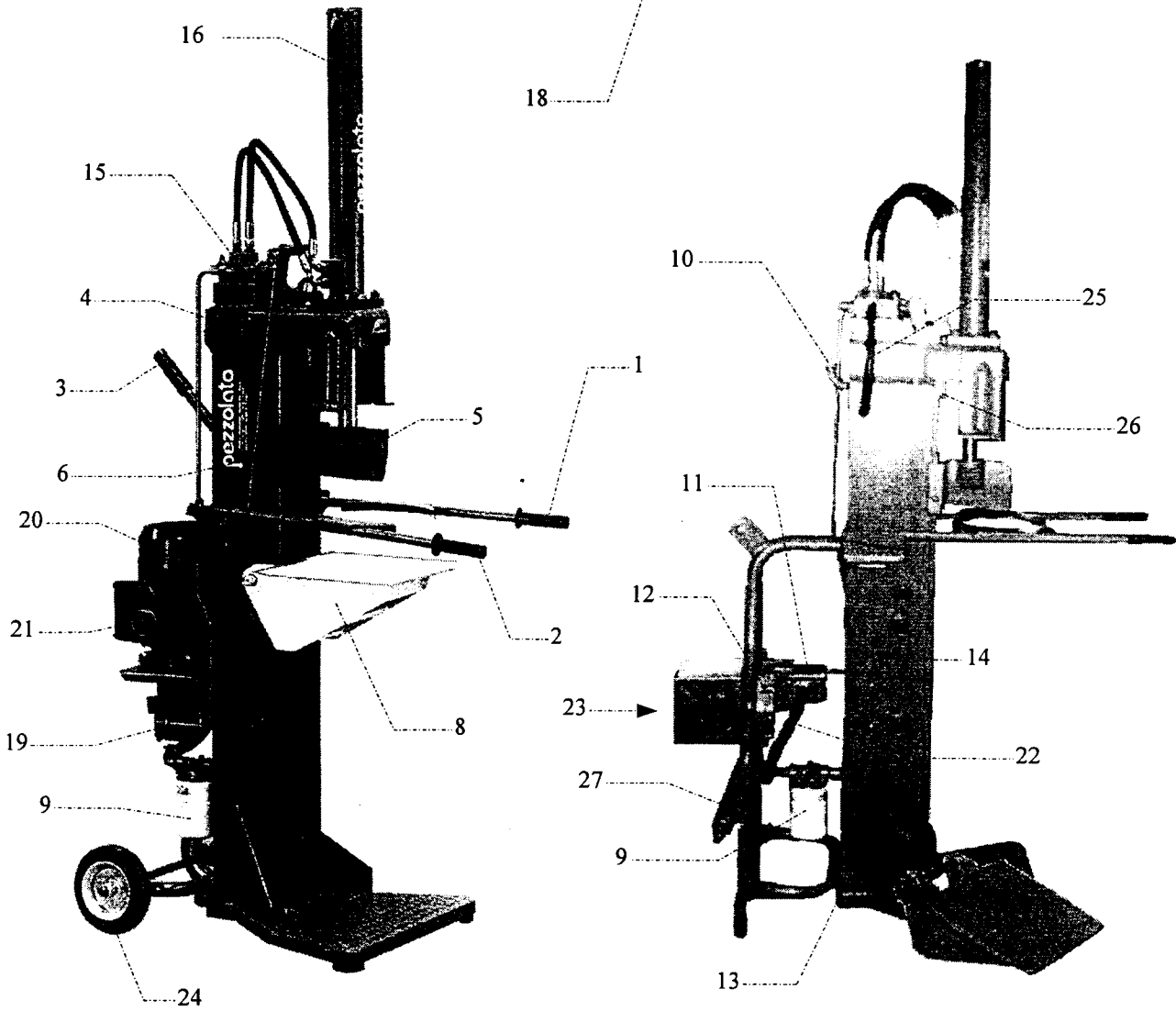
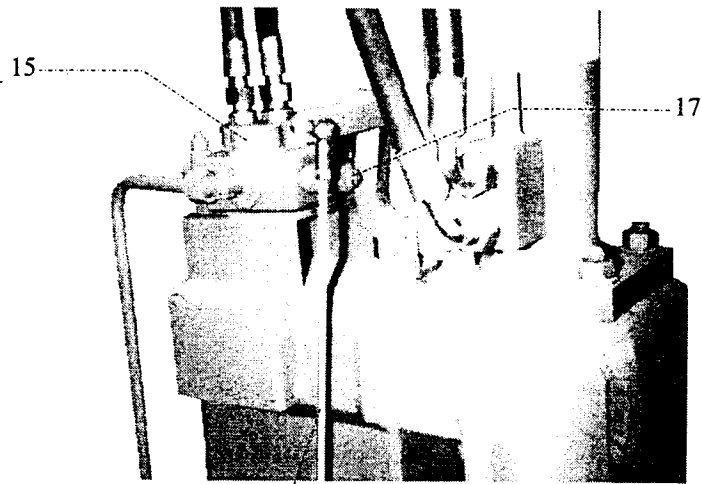
Log splitter "Jolly 1"

Use and maintenance manual and spare parts



ISSUE : 07 / 1997

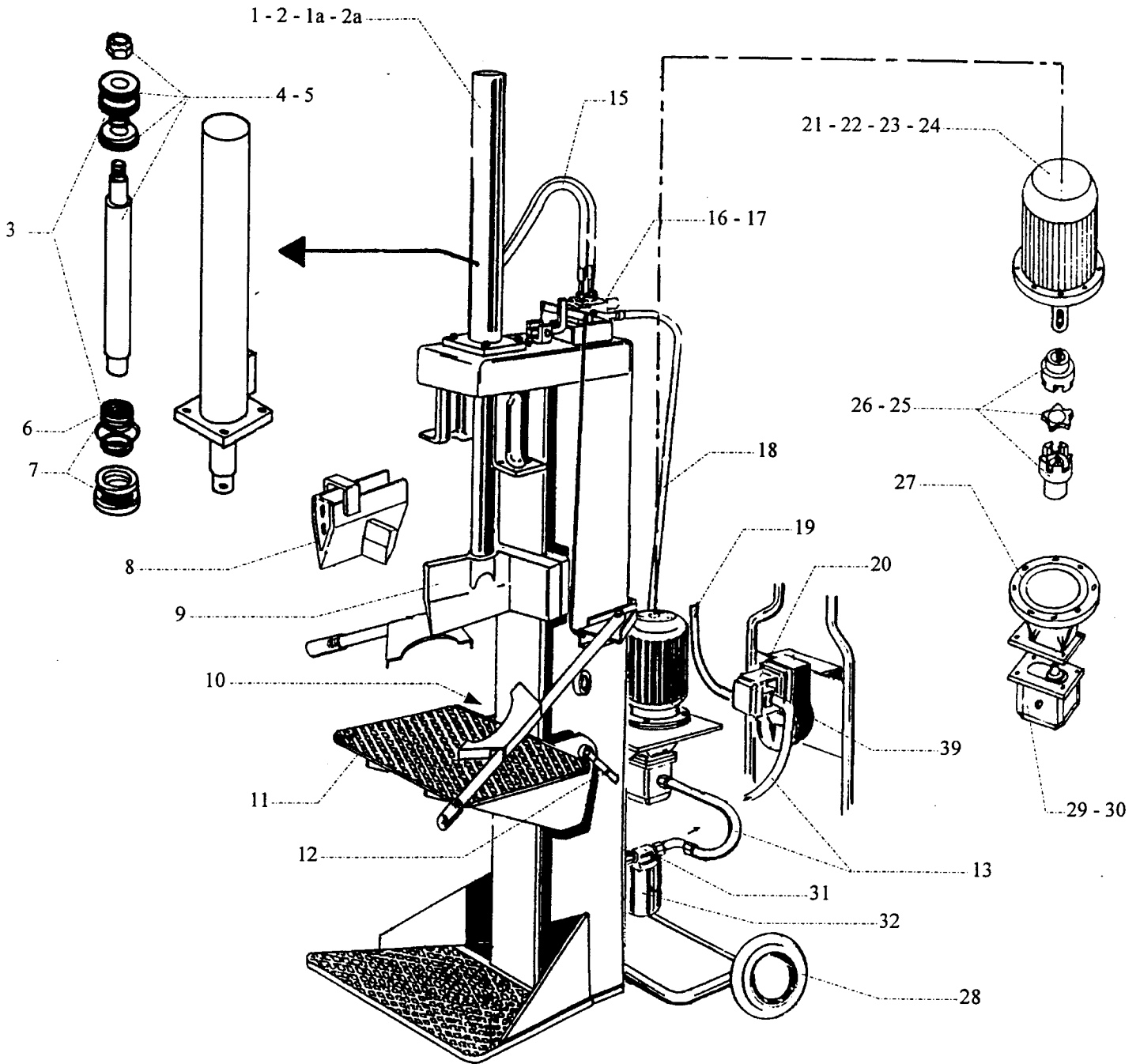
PEZZOLATO Officine costruzioni meccaniche S.p.A.
Tel (0175) 278 077 - Fax (0175) 278 421
12030 ENVIE (CN) - Via provinciale revello, n° 89



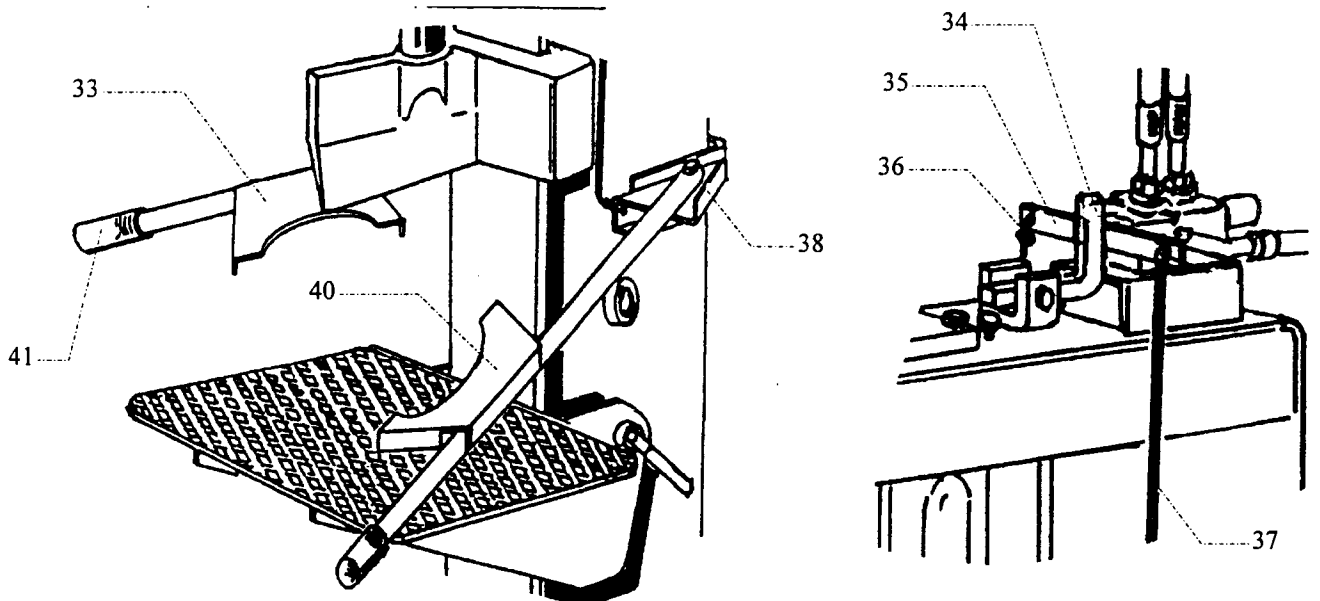
1. Right lever which stop the wood
2. Left lever which stop the wood
3. Handle for manual movement
4. Machine's identification plate
5. Wedge
6. Greasing guide sliding shoes
- 7.
8. Platform support stoks
9. Oil filter

10. Oil charge cap
11. Oil pump overdrive Vers.
12. Overdrive
13. Oil discharged cap
14. Oil level cap
15. Distributor
16. Hydraulic cylinder
17. Pressure adjustment valve
18. Push rod
19. Oil pump Electric Vers.
20. Electric motor
21. Ignition switch
22. Pump suction pipe
23. P.T.O. tang
24. Small wheels for manual movement
25. Discharged pipe for distributor
26. Adjusting screw superior limit switch
27. 3° point

Spare parts exploded view



Device whic stop the wood



List of spare parts shown at page 11

POS	DENOMINATION	CODE
1	60/70 Ram 40 Stroke 500 cylinder	0404060006
2	60/70 Ram 40 Stroke 1000 cylinder	0404060007
1a	60/70 Ram 40 Stroke 500 cylinder liner	0404060006D
2a	60/70 Ram 40 Stroke 1000 cylinder liner	0404060007D
3	Piston gasket complete kit	0404060006A
4	Stroke 500 Stem with gaskets	0404060006B
5	Stroke 1000 Stem with gaskets	0404060007B
6	Gasket kit for ring nut	0404060006E
7	Ring nut with gaskets	0404060006C
8	Steel crossed wedge	0711000502
9	Wedge	0711000501
10	Spring piston pin for pivot	0211000100
11	Plateau	0729000001
12	Pivot for plateau	0710000008
13	RAPISARDA OIL 5SL \varnothing 19 X 29 suction pipe (Specify the lenght)	0421000010
14	CARBOIL NL 10 \varnothing 15 X 23 discharged pipe for distributor (Specify the lenght)	0421000002
15	Flex R2T 3/8" (N° 2) pipes kit	0425000100
16	SD 5/1-1SC17 1 Speed Distributor (Overdrive Vers.)	0406105007
17	SD 5/1-817 2 Speed Distributor (Electric Vers.)	0406205006
18	Pipe from the pump to the distributor Electric Vers.	0422000033
19	Pipe from the pump to the distributor Overdrive Vers.	0422000032
20	PLP20.14 D / AF pump for overdrive	0418210002
21	3 HP B5 - shaft \varnothing 24 Monophase electric motor	0530922004
22	3 HP B5 - shaft \varnothing 28 Monophase electric motor	0530922001
23	3 HP B5 - shaft \varnothing 28 Triphase electric motor	0540922002
24	3 HP B5 - shaft \varnothing 24 Triphase electric motor	0540922001
25	Joint complete for motor - shaft \varnothing 28 (Specify type of motor and shaft)	0225100080
26	Joint complete for motor - shaft \varnothing 24 (Specify type of motor and shaft)	0225100120
27	Hydrapp HL5 / 7 SL Gr. 1 + 2 \varnothing 200 lantern	0411120015
28	Rubber small wheel \varnothing 200	0233003003
29	PLP20.4 D / AF pump Monophase Vers.	0418210011
30	PLP20.8 D / AF pump Triphase Vers.	0418210009
31	MPS - 50 - 0 - P25 AGS oil filter with support	0410100060
32	CS 50.0 P 25 A filter cartridge	0410100062
33	Left lever whic stop the wood	0799100005
34	Distributor driving lever	0799100004
35	Equalizer	0799020005
36	M6 Articulated head	0214010002
37	M6 x 570 Threaded rod	0705000008
38	Supports for lever whic stop the wood	0799170015
39	MLT2 R 1/3,5 Male overdrive	0306010000
40	Right lever whic stop the wood	0799100006
41	PVC \varnothing 19/21 handle	0235400002